

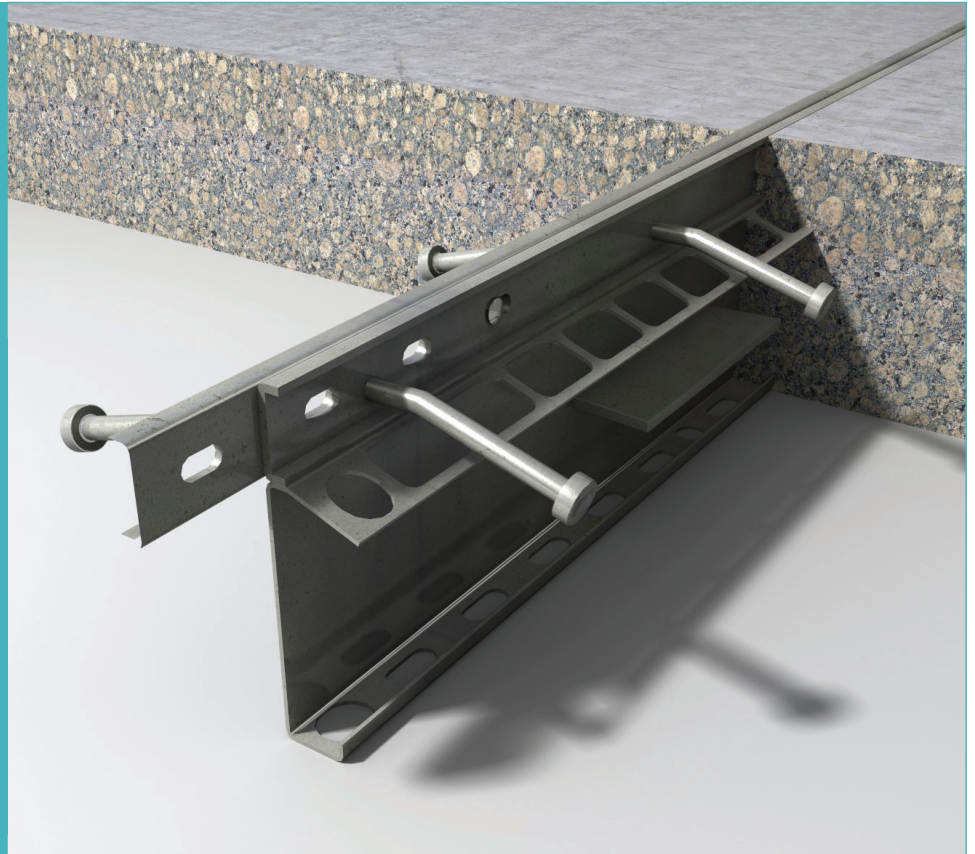
alphajoint[®] css

Specification Sheet

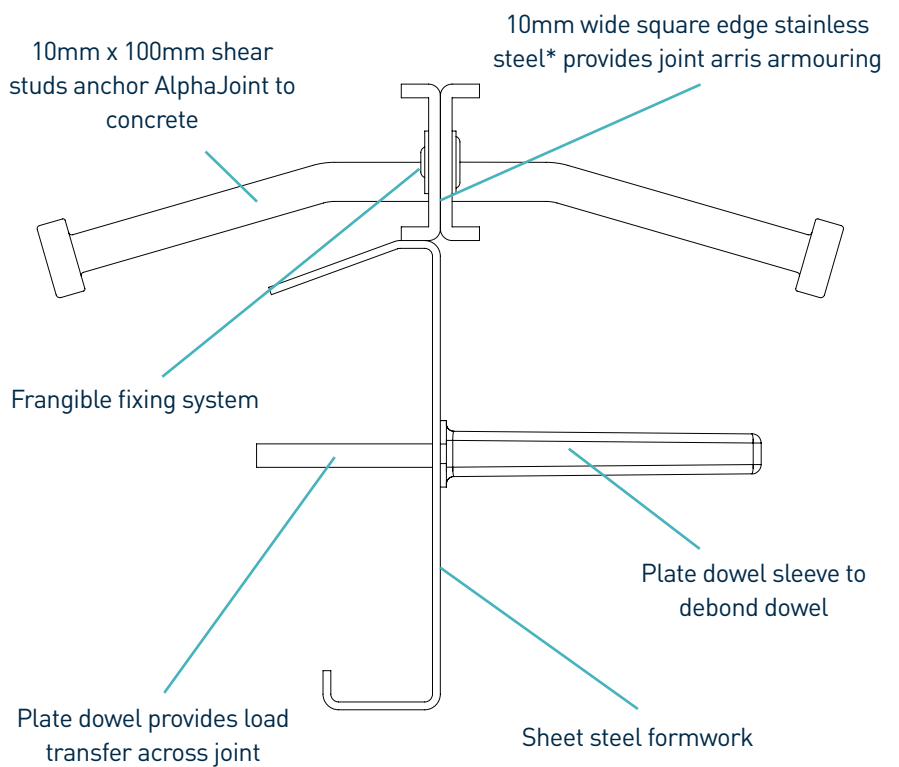
Issue 3.2

18/02/2016

alphajoint[®] css



alphajoint[®] css



*Also available in cold rolled mild steel

alphajoint[®] css

Specification Sheet Issue 3.2
18/02/2016

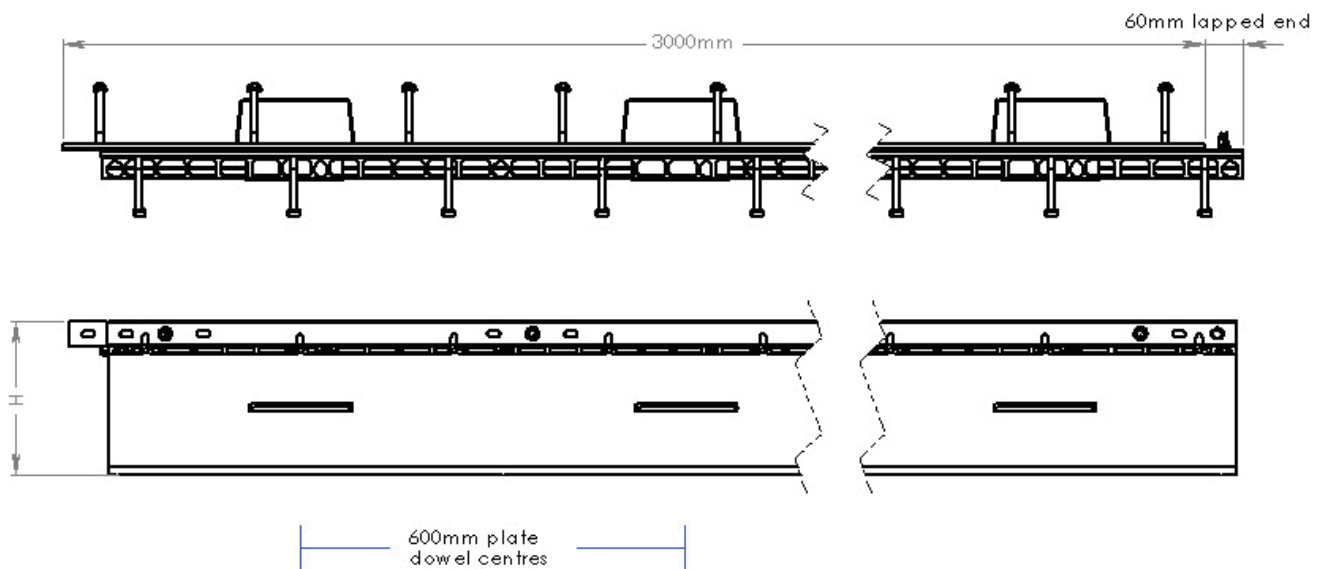
manufacturing tolerances

Length ±2.0mm

Height ±1mm

Straightness ±0.5mm/600mm

dimensions of alphajoint[®] css



dimensions and weight of alphajoint[®] css

Nominal Slab Depth (mm)	Joint Height, h (mm)	Dowel Size (mm)	Dowel Centres (mm)	Length (mm)	Single Joint Weight (kg)	Number Per Bundle	Weight per bundle incl packaging @ 120 kg
150	130	151 x 120 x 8	600	3000	20.331	63	1429 kg (1148 kg as packed flat)
170	150				21.3	40	972 kg
190	175				22.5	40	1020 kg
210	200				23.7	40	1068 kg

Typical height and length values shown only. Weight values shown are based on AlphaJoint[®] CSS including TD6 dowels and are approximate.

materials

Component	Material
Joint aris armouring (CSS)	BS EN 10088-2 1.4301 304L
Sheet steel formwork	BS EN 1030:1999 DC01
Shear stud	S275JR or equivalent
Plate dowel	BS EN 10025-2:2004 S275JRG2 min 410 N/mm ² tensile strength
Plate dowel sleeve	HDPP

alphajoint[®] css

Specification Sheet Issue 3.2
18/02/2016

theoretical calculated ultimate loads at failure of dowel or concrete

(For typical slabs, 40N/mm² concrete and 20mm joint opening)

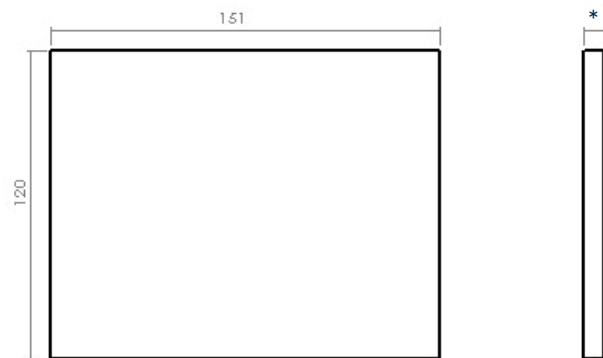
Slab Depth (mm)	Dowel Type	Unreinforced Slab	
		Bursting (kN/m)	Bending (kN/m)
150	TD6	31.2	53.4
	TD8	31.2	87.2
	TD10	31.2	124.7
175	TD6	40.0	53.4
	TD8	40.0	87.2
	TD10	40.0	124.7
200	TD6	49.9	53.4
	TD8	49.9	87.2
	TD10	49.9	124.7
225	TD6	60.7	53.4
	TD8	60.7	87.2
	TD10	60.7	124.7
250	TD6	72.4	53.4
	TD8	72.4	87.2
	TD10	72.4	124.7
275	TD6	85.6	53.4
	TD8	85.6	87.2
	TD10	85.6	124.7
300	TD6	86.9	53.4
	TD8	86.9	87.2
	TD10	86.9	124.7

Ultimate load (kN/m)

This table shows the load at failure in bursting (failure of the concrete) and bending (failure of the dowel) for a joint opening of **20mm** - larger joint openings can be accommodated. The ultimate load has been calculated in accordance with TR34 4th Edition. Dowel position taken at mid depth of slab. For more detailed analysis please contact RCR Flooring Products Ltd.

*All design calculations should be verified by a suitably qualified structural engineer.

compatible dowel systems



Dimensions in mm

*Available in 6, 8, 10mm

DD is not available in the following territories: Mexico, Canada, USA, Australia and New Zealand.