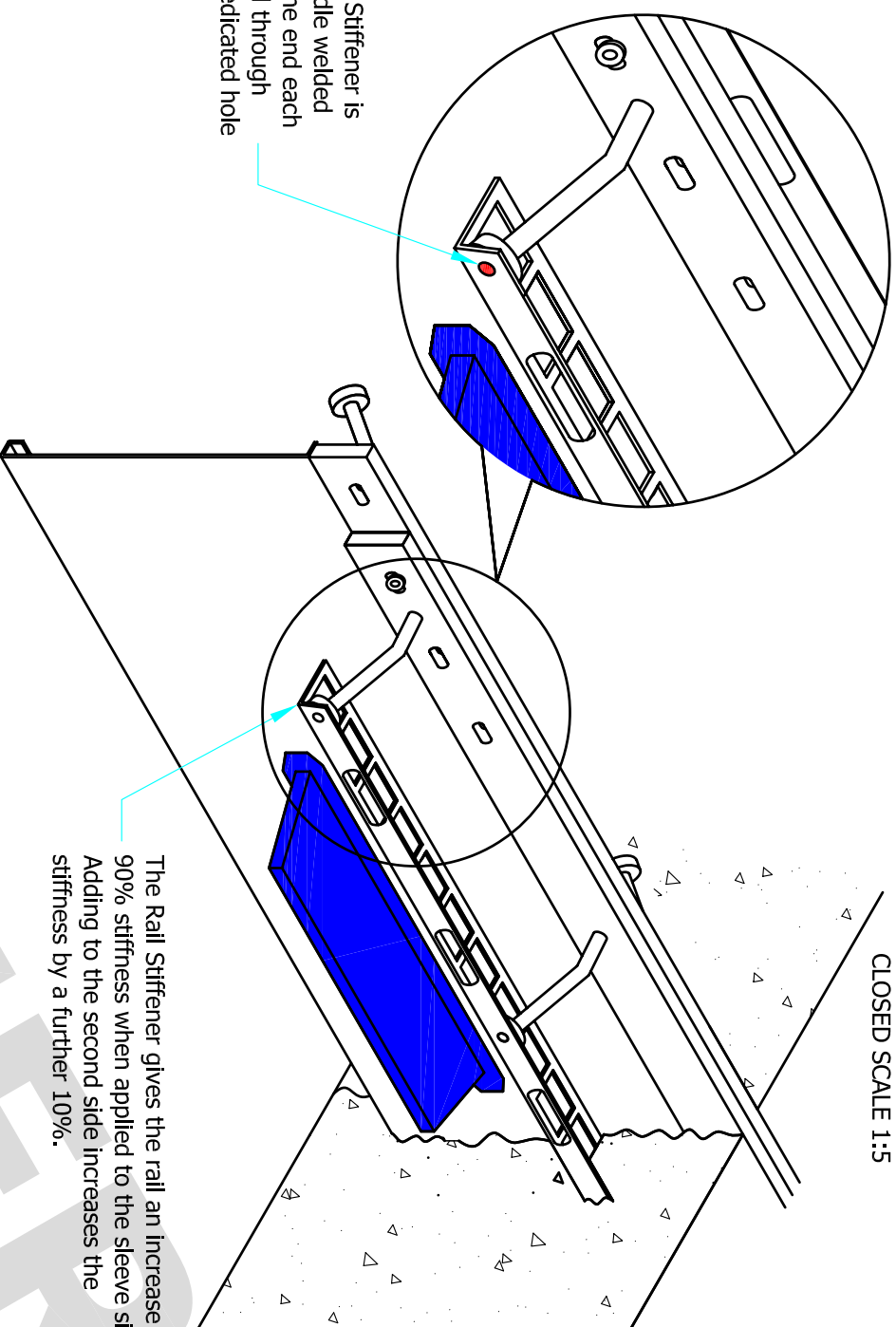
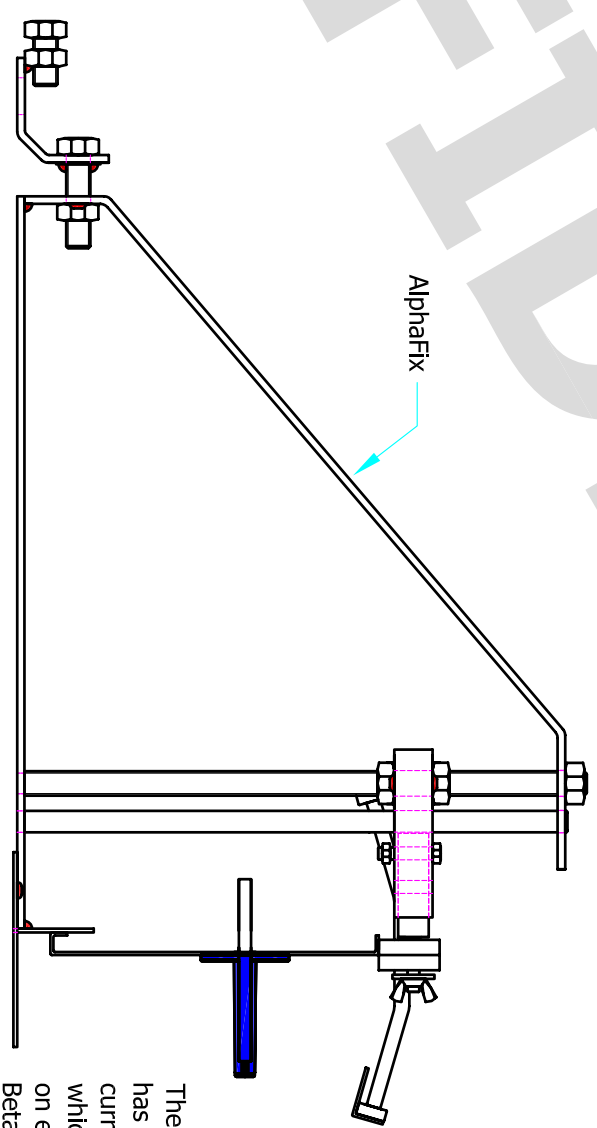
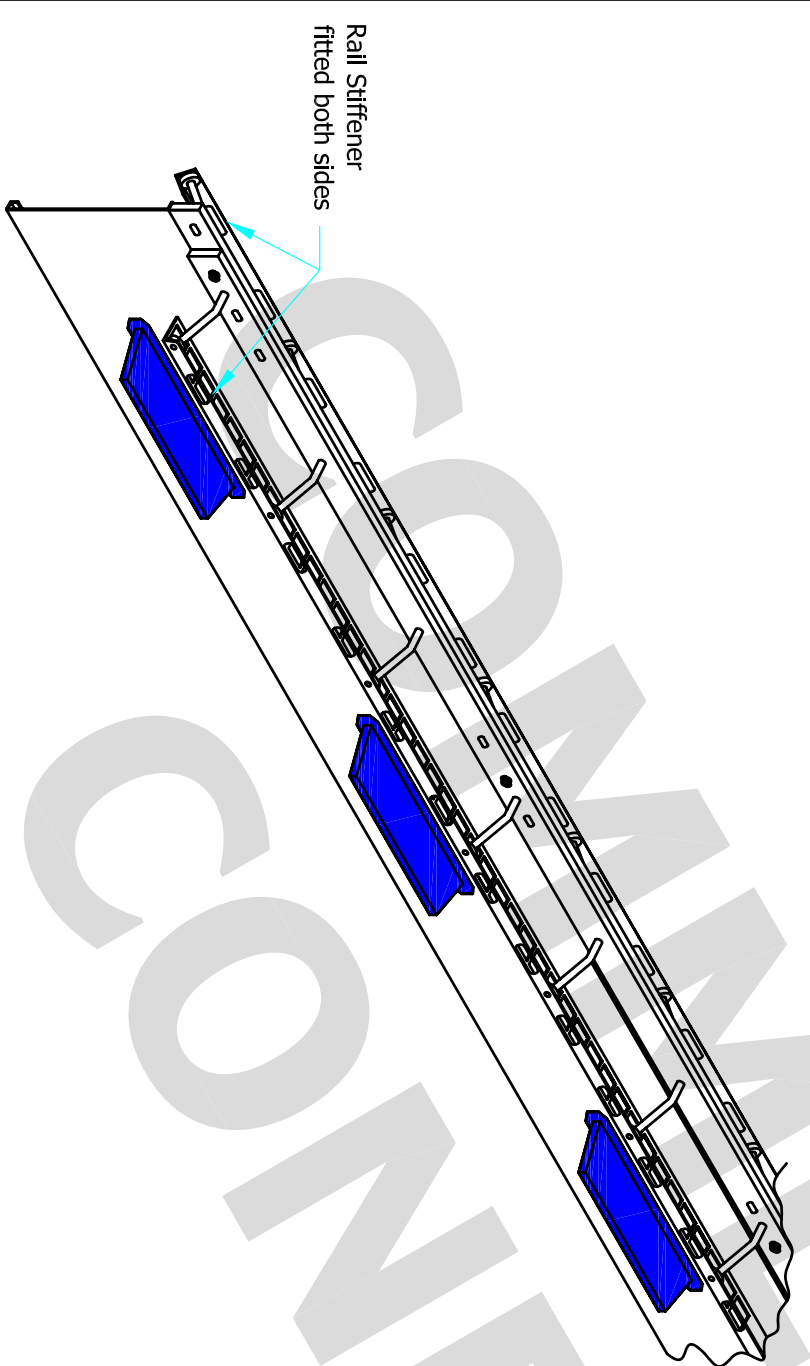
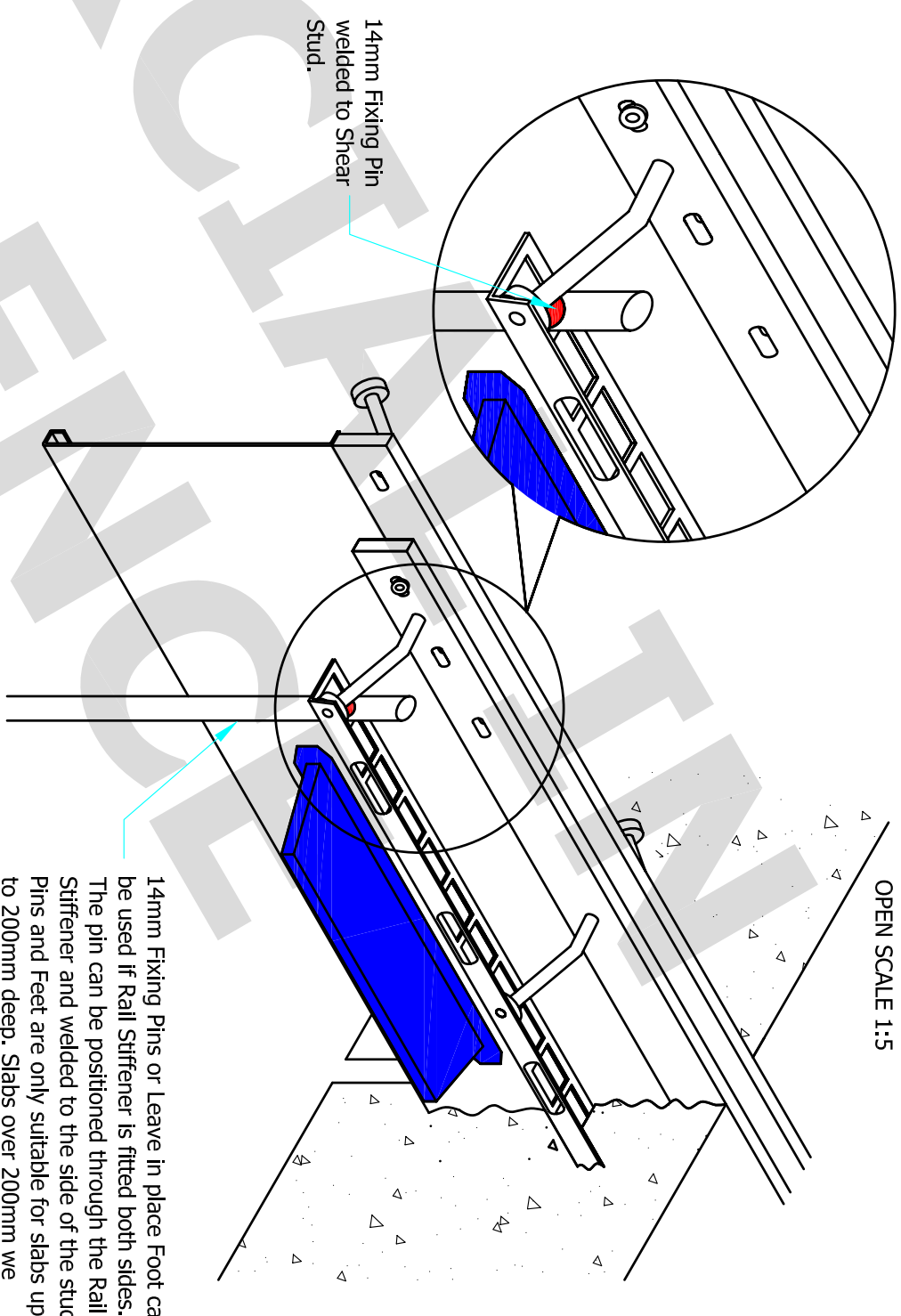


CLOSED SCALE 1:5



OPEN SCALE 1:5



The AlphaFix can be used when AlphaJoint has Rail Stiffener on sleeve side. We are currently developing a new AlphaFix end which allows to be used with Rail Stiffener on either side and all products including Beta and Gamma.

**ALPHAJOINT WITH RAIL STIFFENER**

DRAWING TITLE	<b>ALPHAJOINT WITH RAIL STIFFENER</b>		
DRAWING NO.	AI-RS ISO V1.1	DRAWN BY	<b>N. CASTLE</b>
DATE	<b>11/06/09</b>	DATE	<b>11/06/09</b>
PROJECT REF	<b>PERMABAN STD</b>	CHECKED BY	
STOCK CODE	<b>AI ISO</b>	APPROVED BY	
DIMENSION	<b>DIMENSION IN MILLIMETRES</b>		
MATERIAL			

**ISOMETRIC**

DRAWING TYPE	<b>ISOMETRIC</b>
SCALE	<b>NOT TO SCALE</b>
REF MEANS CHECK TO NOT MAKE TO	<b>REMOVE ALL BURRS AND SHARP EDGES</b>
THIRD ANGLE PROJECTION	
A3	

**GENERAL TOLERANCES UNLESS OTHERWISE STATED LINEAR ±**

1	0.5
1.0	0.1
1.00	0.05
1.000	0.005
ANGULAR	± 0.5°

DESCRIPTION OF CHANGE	REVISION
Changing layout and adding information for better understanding of product	1.1
FIRST ISSUE	1.0

**PERMABAN**  
**Floor Solutions**  
 Mill Close, Lee Mill Ind Estate  
 Ivybridge, DEVON PL21 9GL  
 t: +44(0)1752 895288  
 f: +44(0)1752 690535  
 e: info@permaban.com

© copyright reserved. All the information contained in this drawing remains the property of Permaban Ltd and is not to be used for any other purpose or disclosed to third parties without the express prior written consent of Permaban Ltd.